

G-RAIL 5010 Bolted Rail Clips

TECHNICAL SPECIFICATIONS

- Max side load 60 kN
- Lateral adjustment 12 mm
- Bolt M20 Grade 8.8
- Tightening Torque 220 Nm
- Steel Quality St52-3

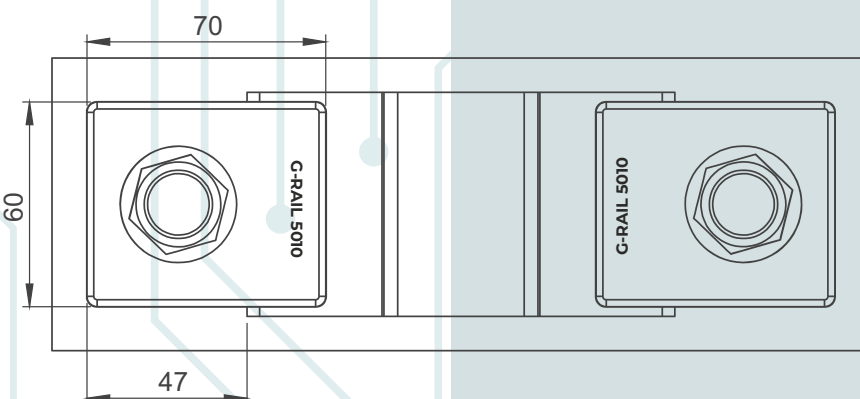
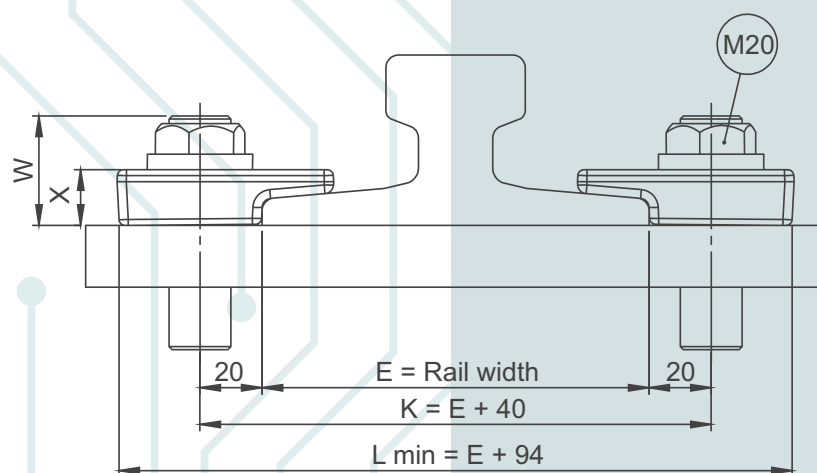
CLIPS NO	X	W	Weight (Kg)
G-RAIL 5010	18	41	0,385

MAIN FEATURES

1. G-RAIL 5010 bolted rail clip, which is produced from a forged part, enables ease of assembly thanks to its special desing.
2. The clips can preferred for rails with or without pads.
3. The main part is locked to rail with special bolt.

1 RAIL WITH PAD

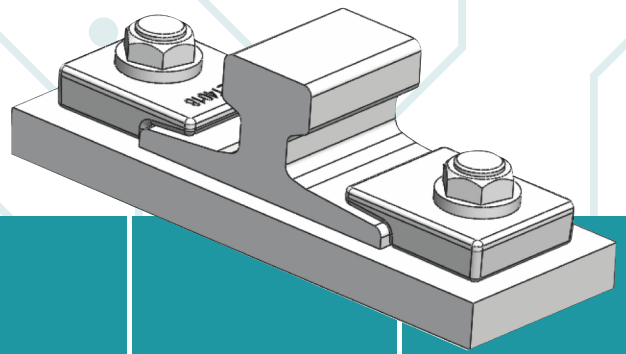
2 RAIL WITHOUT PAD

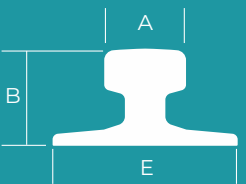


Flange nut can also be used on request.
Please consult us for using flange nut.

5010

G-RAIL 5010 Bolted Rail Clips



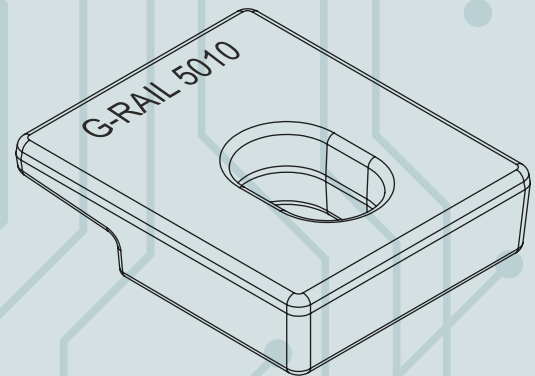
	A	B	E	Weight kg/m	Without Pad	With Pad
A45	45	55	125	22,1	5010	5010 P
A55	55	65	150	31,8	5010	5010 P
A65	65	75	175	43,1	5010	5010 P
CR 104	63,5	127	127	51,59	5010	5010 P
CR 105	65,1	131,8	131,8	52,09	5010	5010 P
CR 135	76,2	146	131,8	66,97	5010	5010 P
S24	53	115	90	24,43	5010	5010 P
25 kg/m	50	115	90	25	5010	5010 P
CR 171	101,6	152,4	152,4	84,83	5010	5010 P
CR 175	102,4	152,4	152,4	86,8	5010	5010 P
MRS 87 A	101,6	152,4	152,4	86,8	5010	5010 P
MRS 125	120	180	180	125	5010	5010 P
36 E1	60	130	100	36,26	5010	5010 P
40 E1	67	138	125	40,95	5010	5010 P
46 E4	65	145	135	46,9	5010	5010 P
49 E1	67	149	125	49,39	5010	5010 P
50 ES	67	148	135	49,9	5010	5010 P
54 E1	70	159	140	54,77	5010	5010 P
60 E1	72	172	150	60,21	5010	5010 P

CLIP CAN BE USED WITH MORE TYPE OF RAILS THAN THOSE LISTED.

INSTALLATION INSTRUCTIONS:

The main component is first positioned on the bolt against the rail and the special washer is then positioned on the main component. The nut is hand tightened. Hammer is used for tighter contact. The main component is in position, use an electrical or pneumatic wrench to torque the nut. Please contact G-RAIL for full installation instructions.

WELD DETAIL



G-RAIL NO DOUBT ABOUT CRANE RAILS AND FASTENING SYSTEM



Przedstawiciel handlowy w Polsce:

DETRANS
ul. Damrota 2
41-800 Zabrze,
NIP: 6482772915

Jacek Kohn
Telefon: +48 511 973 972
E-mail: j.kohn@detrans.pl

