

G-RAIL 3020 Bolted Rail Clips

TECHNICAL SPECIFICATIONS

- Max side load 120 kN
- Lateral adjustment 14 mm
- Bolt M20 Grade 8.8
- Tightening Torque 320 Nm
- Steel Quality St52-3

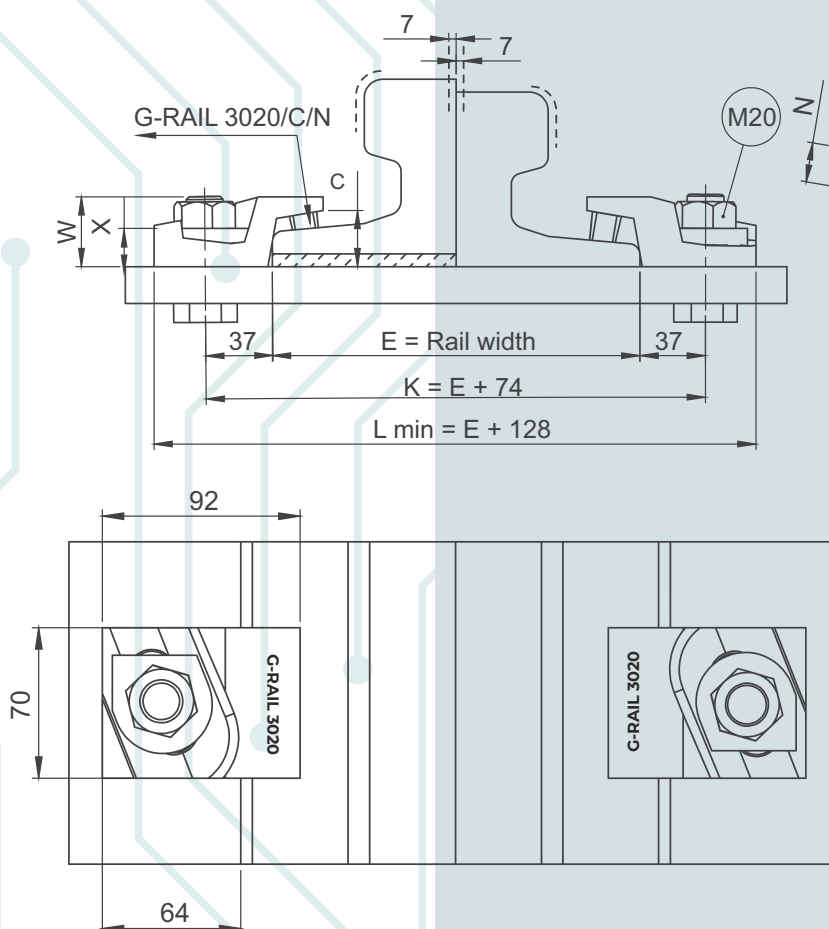
CLIPS NO	X	C	W	N	Weight (Kg)
G-RAIL 3020/30/21,5	21	30	40	21,5	0,800
G-RAIL 3020/30/14,5	21	30	40	14,5	0,760

MAIN FEATURES

1. G-RAIL 3020 bolted rail clip, which is produced from a forged part, enables ease of assembly thanks to its special desing.
2. The clips can preferred for rails with or without pads.
3. The main part is locked to rail with special bolt.
4. The rubber nose increases the tolerances of the rail support structures, reduces the stress of the connections, allows a better fixing of the rail.

1 RAIL WITH PAD

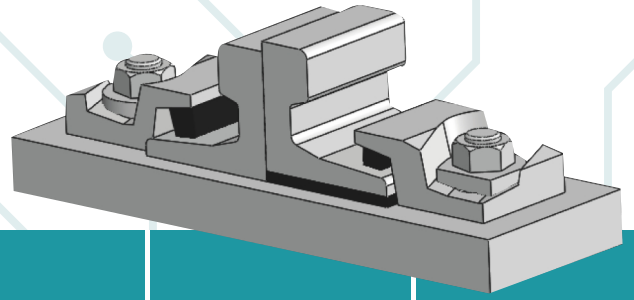
2 RAIL WITHOUT PAD

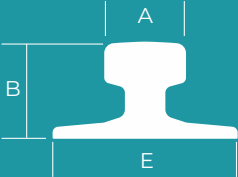


Flange nut can also be used on request.
Please consult us for using flange nut.

3020

G-RAIL 3020 Bolted Rail Clips



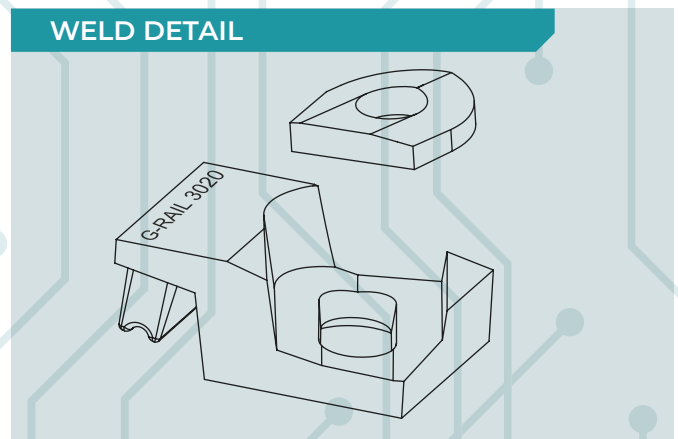
	A	B	E	Without Pad	With Pad
	A65	65	75	175	3020
A75	75	85	200	3020	3020 P
A100	100	95	200	3020	3020 P
A120	120	105	220	3020	3020 P
A150	150	150	220	3020	3020 P
ASCE80	63,5	127	127	3020	3020 P
ASCE85	65,1	131,8	131,8	3020	3020 P
CR73	100	135	140	3020	3020 P
CR100	120	150	155	3020	3020 P
MRS51	63,5	127	127	3020	3020 P
MRS52	65,1	131,8	131,8	3020	3020 P
MRS87A	101,6	152,4	152,4	3020	3020 P
S30	60,3	108	108	3020	3020 P
S49	67	149	125	3020	3020 P
49 E1	67	149	125	3020	3020 P
UIC60	72	172	150	3020	3020 P

CLIP CAN BE USED WITH MORE TYPE OF RAILS THAN THOSE LISTED.

INSTALLATION INSTRUCTIONS:

The main component is first positioned on the bolt against the rail and the special washer is then positioned on the main component. The nut is hand tightened. Hammer is used for tighter contact. The main component is in position, use an electrical or pneumatic wrench to torque the nut. Please contact G-RAIL for full installation instructions.

WELD DETAIL



G-RAIL NO DOUBT ABOUT CRANE RAILS AND FASTENING SYSTEM



Przedstawiciel handlowy w Polsce:

DETRANS
ul. Damrota 2
41-800 Zabrze,
NIP: 6482772915

Jacek Kohn
Telefon: +48 511 973 972
E-mail: j.kohn@detrans.pl

