

## G-RAIL 3030 Bolted Rail Clips

### TECHNICAL SPECIFICATIONS

- Max side load 160 kN
- Lateral adjustment 15 mm
- Bolt M24 Grade 8.8
- Tightening Torque 550 Nm
- Steel Quality St52-3

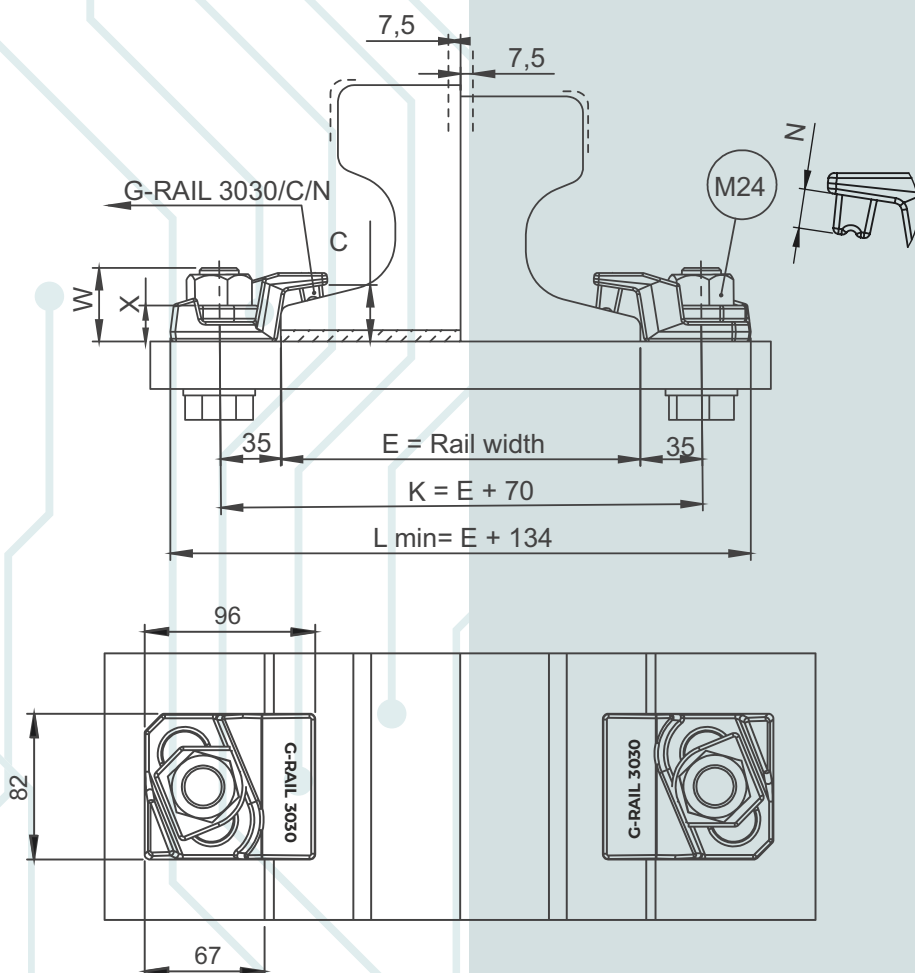
CLIPS NO	X	C	W	N	Weight (Kg)
G-RAIL 3030/35/19,5	22	35	45	19,5	0,930
G-RAIL 3030/35/13,5	22	35	45	13,5	0,915
G-RAIL 3030/35/9	22	35	45	9	0,900

### MAIN FEATURES

1. G-RAIL 3030 bolted rail clip, which is produced from a forged part, enables ease of assembly thanks to its special desing.
2. The clips can preferred for rails with or without pads.
3. The main part is locked to rail with special bolt.
4. The rubber nose increases the tolerances of the rail support structures, reduces the stress of the connections, allows a better fixing of the rail.

#### 1 RAIL WITH PAD

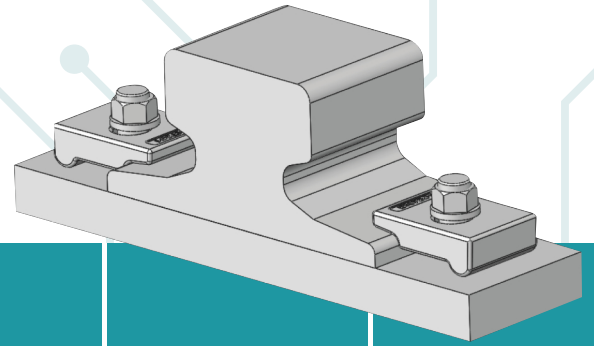
#### 2 RAIL WITHOUT PAD

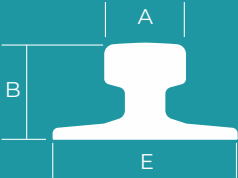


Flange nut can also be used on request.  
Please consult us for using flange nut.

# 3030

## G-RAIL 3030 Bolted Rail Clips



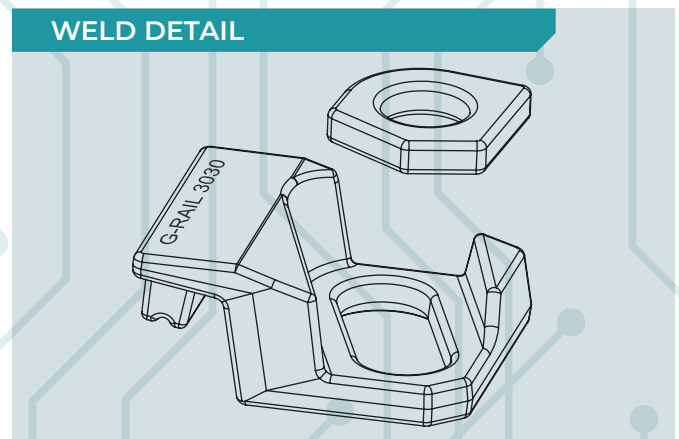
	A	B	E	Without Pad	With Pad
	A75	75	85	200	3030
A100	100	95	200	3030	3030 P
A120	120	105	220	3030	3030 P
A150	150	150	220	3030	3030 P
ASCE80	63,5	127	127	3030	3030 P
ASCE85	65,1	131,8	131,8	3030	3030 P
CR73	100	135	140	3030	3030 P
CR100	120	150	155	3030	3030 P
MRS51	63,5	127	127	3030	3030 P
MRS52	65,1	131,8	131,8	3030	3030 P
MRS87A	101,6	152,4	152,4	3030	3030 P
S30	60,3	108	108	3030	3030 P
S49	67	149	125	3030	3030 P
49 E1	67	149	125	3030	3030 P
UIC60	72	172	150	3030	3030 P
CR175	102,4	152,4	152,4	3030	3030 P

CLIP CAN BE USED WITH MORE TYPE OF RAILS THAN THOSE LISTED.

### INSTALLATION INSTRUCTIONS:

The main component is first positioned on the bolt against the rail and the special washer is then positioned on the main component. The nut is hand tightened. Hammer is used for tighter contact. The main component is in position, use an electrical or pneumatic wrench to torque the nut. Please contact G-RAIL for full installation instructions.

### WELD DETAIL



## G-RAIL NO DOUBT ABOUT CRANE RAILS AND FASTENING SYSTEM



Przedstawiciel handlowy w Polsce:

DETRANS  
ul. Damrota 2  
41-800 Zabrze,  
NIP: 6482772915

Jacek Kohn  
Telefon: +48 511 973 972  
E-mail: j.kohn@detrans.pl

